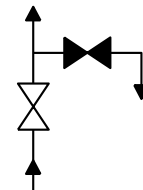




Model 290



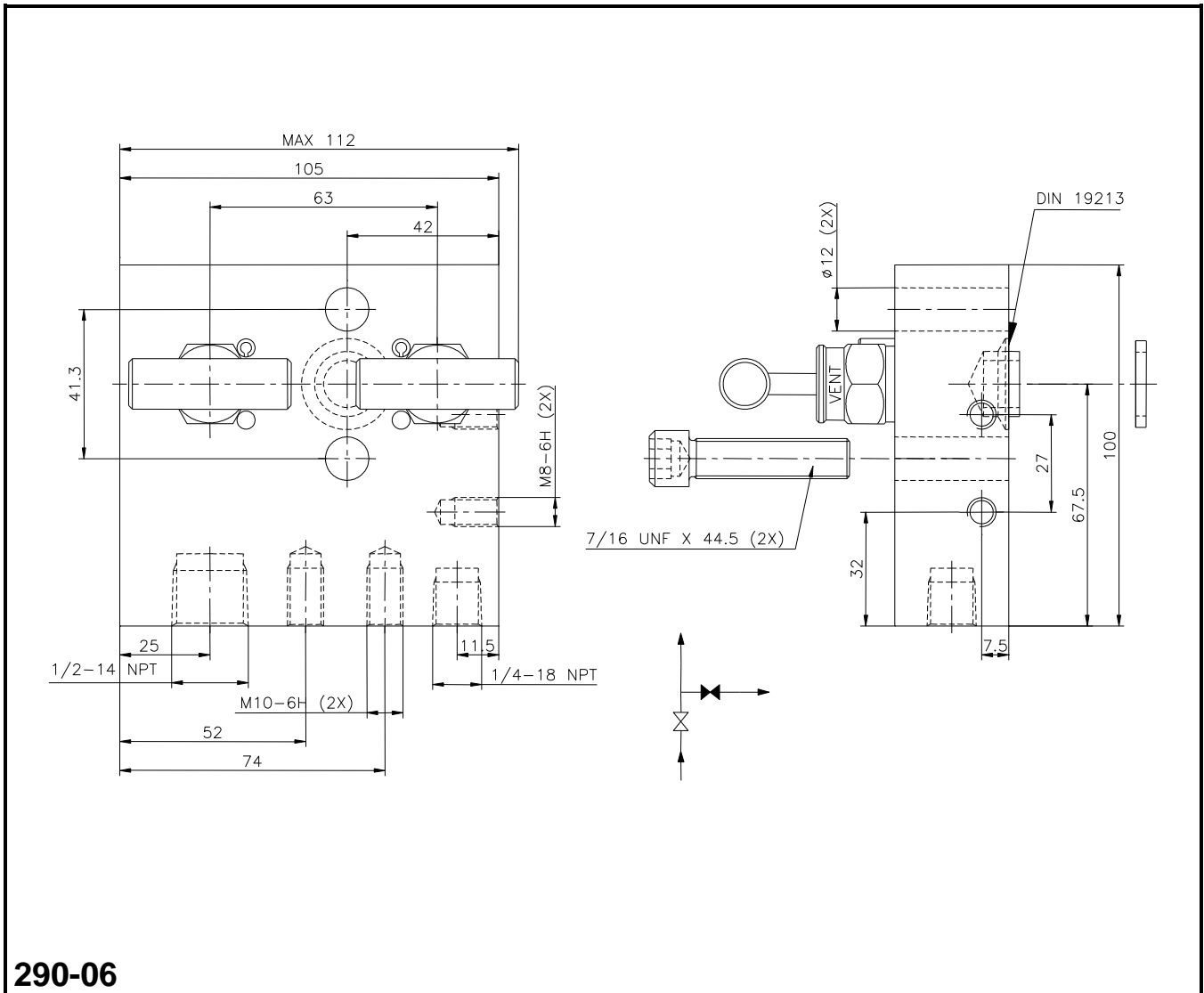
PICTURE MODEL 290-06

2-VALVE MANIFOLD FOR INSIDE INSTRUMENT HOUSINGS (HA4, HA5....., HA10)

DIRECT MOUNTING ON DIFFERENTIAL PRESSURE TRANSMITTER HAVING 1/2 IEC FACING

Standard materials				
Body, Bonnet	AISI 316 L			
Needle point	Rotating ceramic ball Al ₂ O ₃			
Stem	AISI 316 Ti with chromium-carbide diffusion coating			
Connections				
Process	1/2-14 NPT (F)	ANSI / ASME B1.20.1		
Instrument	Flanged	IEC61518-A		
Vent / Purge	1/4-18 NPT (F)	ANSI / ASME B1.20.1		
Instrument mounting material				
1 Gasket	PTFE			
2 Bolts 7/16" UNF	AISI 316			
Stem packing	Code	P/T		Material
Teflon (PTFE)	xxx-01	413 barg 38°C 200 barg 230°C 6000 psig 100°F 3000 psig 450°F		AISI 316 (L)
VITON	xxx-06	413 barg 38°C 200 barg 200°C 6000 psig 100°F 3000 psig 400°F		AISI 316 (L)
Grafoil	xxx-05	413 barg 38°C 200 barg 230°C 6000 psig 100°F 3000 psig 450°F		AISI 316 (L)
Other packingmat.	Silicon, Kalrez, Supagraf Premier, EPDM, Elast-o-lion			
Special alloys				
	Alloy 400	Alloy C-276	TITAN	DUPLEX 1.4462
Model	xxx-02	xxx-03	xxx-04	xxx-20
Stem packing	PTFE	PTFE	PTFE	VITON O-ring
	Alloy 825	Alloy 625	Alloy 254Smo (6M0)	
Model	xxx-12 (825)	xxx-12	xxx-11	Other on request
stem packing	PTFE	PTFE	PTFE	
Optional				
Oxygen cleaned				xxx-xx/C
Extended manifold body for cabinet use (body + 20mm)				xxx/L-xx
Connections for steam heating				xxx/SH-xx

Model 290



290-06

