



Model 101



Picture model: 101-06

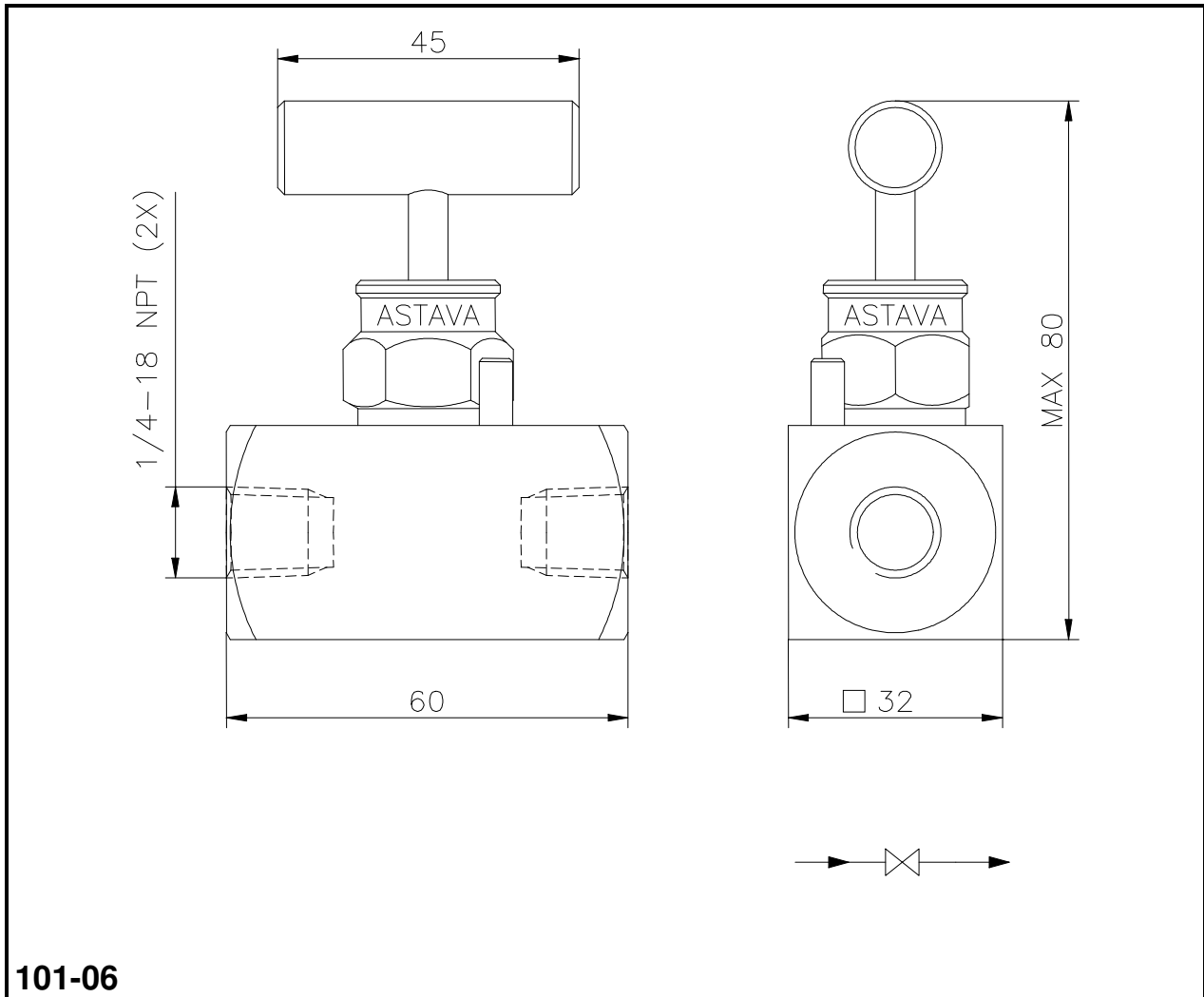
Standard materials		
Body, Bonnet, Bellows (101-28)	AISI 316 L	
Needle point	Rotating ceramic ball Al ₂ O ₃	
Stem	AISI 316 Ti with chromium-carbide diffusion coating	
Connections		
Process	1/4-18 NPT (F)	ANSI / ASME B1.20.1
Instrument	1/4-18 NPT (F)	ANSI / ASME B1.20.1

Stem packing	Code	P/T	Material
Teflon (PTFE)	xxx-01	413 barg 38°C 200 barg 230°C 6000 psig 100°F 3000 psig 450°F	AISI 316 (L)
VITON	xxx-06	690 barg 38°C 200 barg 200°C 10000 psig 100°F 3000 psig 400°F	AISI 316 (L)
Grafoil	xxx-05	413 barg 38°C 200 barg 400°C 6000 psig 100°F 3000 psig 750°F	AISI 316 (L)
Other packingmat.	Sillicon, Kalrez, Supagraf Premier, EPDM, Elast-o-lion		

Special alloys	Alloy 400	Alloy C-276	TITAN	DUPLEX 1.4462
Model	xxx-02	xxx-03	xxx-04	xxx-10
Stem packing	PTFE	PTFE	PTFE	VITON O-ring
	Alloy 825	Alloy 625	Alloy 254Smo (6M0)	
Model	xxx-12 (825)	xxx-12	xxx-11	Other on request
Stem packing	PTFE	PTFE	PTFE	

Optional	Add code
Oxygen cleaned	xxx-xx/C
G-threaded connections	xxx/B -xx
All connections G-threaded ¼	xxx/B14-xx
MonelK500 (NACE compliance)	xxx-xx5
Mounting bracket	904, 906 or 906/P

Model 101



101-06

