



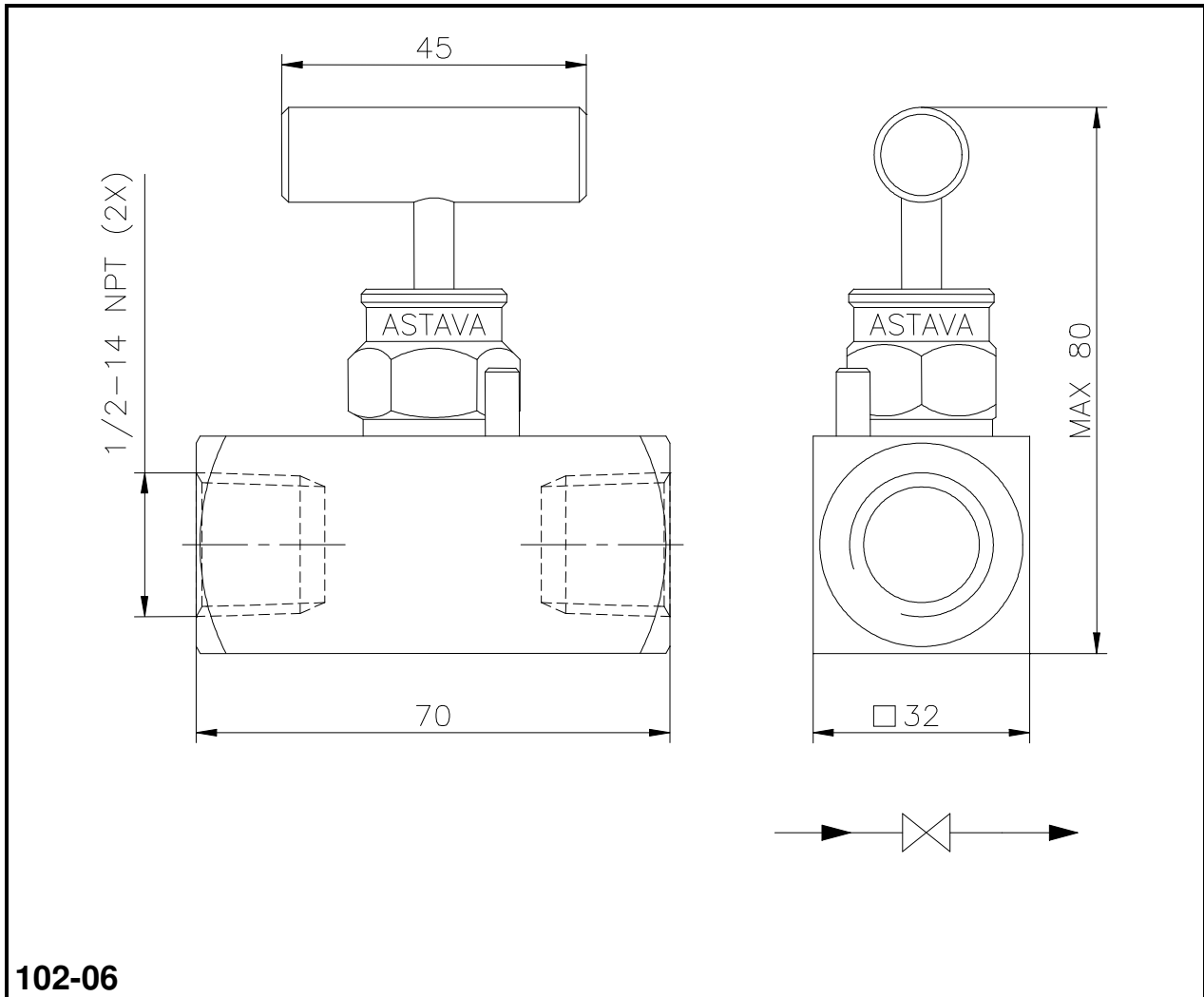
Model 102



Picture model 102-06

Standard materials				
Body, Bonnet, Bellows (102-28)		AISI 316 L		
Needle point		Rotating ceramic ball Al ₂ O ₃		
Stem		AISI 316 Ti with chromium-carbide diffusion coating		
Connections				
Process		1/2-14 NPT (F)	ANSI / ASME B1.20.1	
Instrument		1/2-14 NPT (F)	ANSI / ASME B1.20.1	
Stem packing	Code	P/T		Material
Teflon (PTFE)	xxx-01	413 barg 38°C 200 barg 230°C 6000 psig 100°F 3000 psig 450°F		AISI 316 (L)
VITON	xxx-06	600 barg 38°C 200 barg 200°C 9000 psig 100°F 3000 psig 400°F		AISI 316 (L)
Grafoil	xxx-05	413 barg 38°C 200 barg 400°C 6000 psig 100°F 3000 psig 750°F		AISI 316 (L)
Other packingmat.		Sillicon, Kalrez, Supagraf Premier, EPDM, Elast-o-lion		
Special alloys				
Alloy 400	Alloy C-276	TITAN	DUPLEX 1.4462	
Model	xxx-02	xxx-03	xxx-04	xxx-20
Stem packing	PTFE	PTFE	PTFE	VITON O-ring
Alloy 825	Alloy 625	Alloy 254Smo (6M0)		
Model	xxx-12 (825)	xxx-12	xxx-11	Other on request
Stem packing	PTFE	PTFE	PTFE	
Optional				Add code
Oxygen cleaned				xxx-xx/C
G-threaded connections				xxx/B -xx
All connections G-threaded ¼				xxx/B14-xx
MonelK500 (NACE compliance)				xxx-xx5
Mounting bracket				904, 906 or 906/P
Vent ½"NPT F (standard is ¼"NPT F)				xxx/V12-xx
10.000 psi solution				xxx/10K-xx

Model 102



102-06

