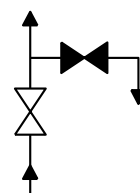




Model 290



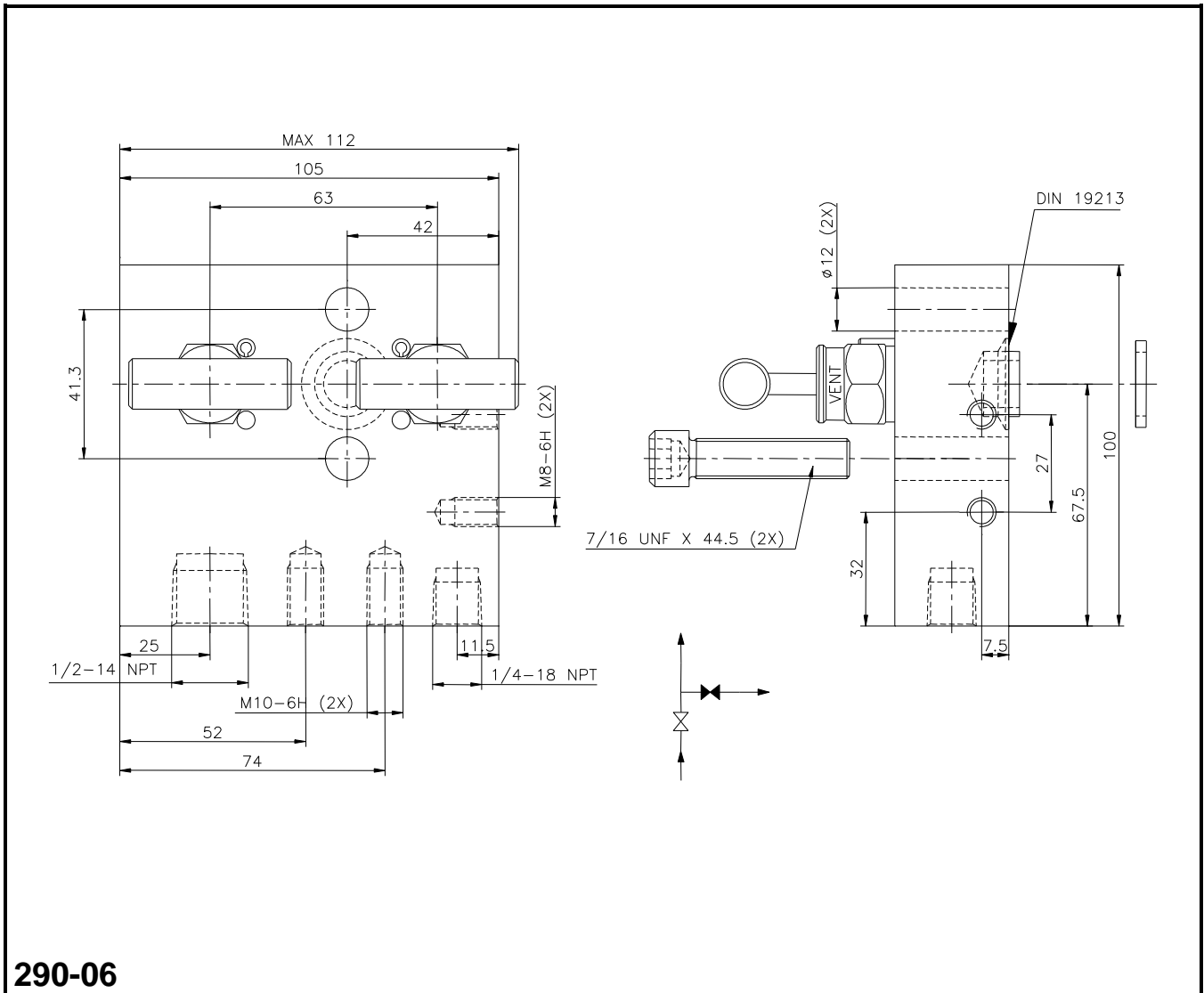
PICTURE MODEL 290-06

2-VALVE MANIFOLD FOR INSIDE INSTRUMENT HOUSINGS (HA4, HA5....., HA10)

DIRECT MOUNTING ON DIFFERENTIAL PRESSURE TRANSMITTER HAVING 1/2 IEC FACING

| Standard materials | | | | |
|--|--|---|---------------------------|----------------------|
| Body, Bonnet | AISI 316 L | | | |
| Needle point | Rotating ceramic ball Al ₂ O ₃ | | | |
| Stem | AISI 316 Ti with chromium-carbide diffusion coating | | | |
| Connections | | | | |
| Process | 1/2-14 NPT (F) | ANSI / ASME B1.20.1 | | |
| Instrument | Flanged | IEC61518-A | | |
| Vent / Purge | 1/4-18 NPT (F) | ANSI / ASME B1.20.1 | | |
| Instrument mounting material | | | | |
| 1 Gasket | PTFE | | | |
| 2 Bolts 7/16" UNF | AISI 316 | | | |
| Stem packing | Code | P/T | | Material |
| Teflon (PTFE) | xxx-01 | 413 barg 38°C 200 barg 230°C 6000 psig 100°F 3000 psig 450°F | | AISI 316 (L) |
| VITON | xxx-06 | 413 barg 38°C 200 barg 200°C 6000 psig 100°F 3000 psig 400°F | | AISI 316 (L) |
| Grafoil | xxx-05 | 413 barg 38°C 200 barg 230°C 6000 psig 100°F 3000 psig 450°F | | AISI 316 (L) |
| Other packingmat. | Sillicon, Kalrez, Supagraf Premier, EPDM, Elast-o-lion | | | |
| Special alloys | | | | |
| | Alloy 400 | Alloy C-276 | TITAN | DUPLEX 1.4462 |
| Model | xxx-02 | xxx-03 | xxx-04 | xxx-20 |
| Stem packing | PTFE | PTFE | PTFE | VITON O-ring |
| | Alloy 825 | Alloy 625 | Alloy 254Smo (6M0) | |
| Model | xxx-12 (825) | xxx-12 | xxx-11 | Other on request |
| stem packing | PTFE | PTFE | PTFE | |
| Optional | | | | |
| Oxygen cleaned | | | | xxx-xx/C |
| Extended manifold body for cabinet use (body + 20mm) | | | | xxx/L-xx |
| Connections for steam heating | | | | xxx/SH-xx |

Model 290



290-06

