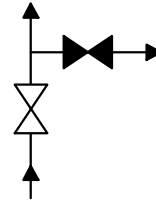




Model 298



298-06+60.750

2-WAY MANIFOLD FOR DIRECT MOUNTING ON PRESSURE TRANSMITTER OR MANOMETER WITH 1/2" NPT CONNECTION WITH POSITIONING ADAPTER MALE OUTLET

Standard materials	
Body, Bonnet	AISI 316 L
Needle point	Rotating ceramic ball Al ₂ O ₃
Stem	AISI 316 Ti with chromium-carbide diffusion coating

Connections		
Process	1/4-18 NPT(F)	ANSI ASME B1.20.1
Instrument	1/2-14 NPT(F)	ANSI ASME B1.20.1
Vent	1/4-18 NPT(F)	ANSI ASME B1.20.1

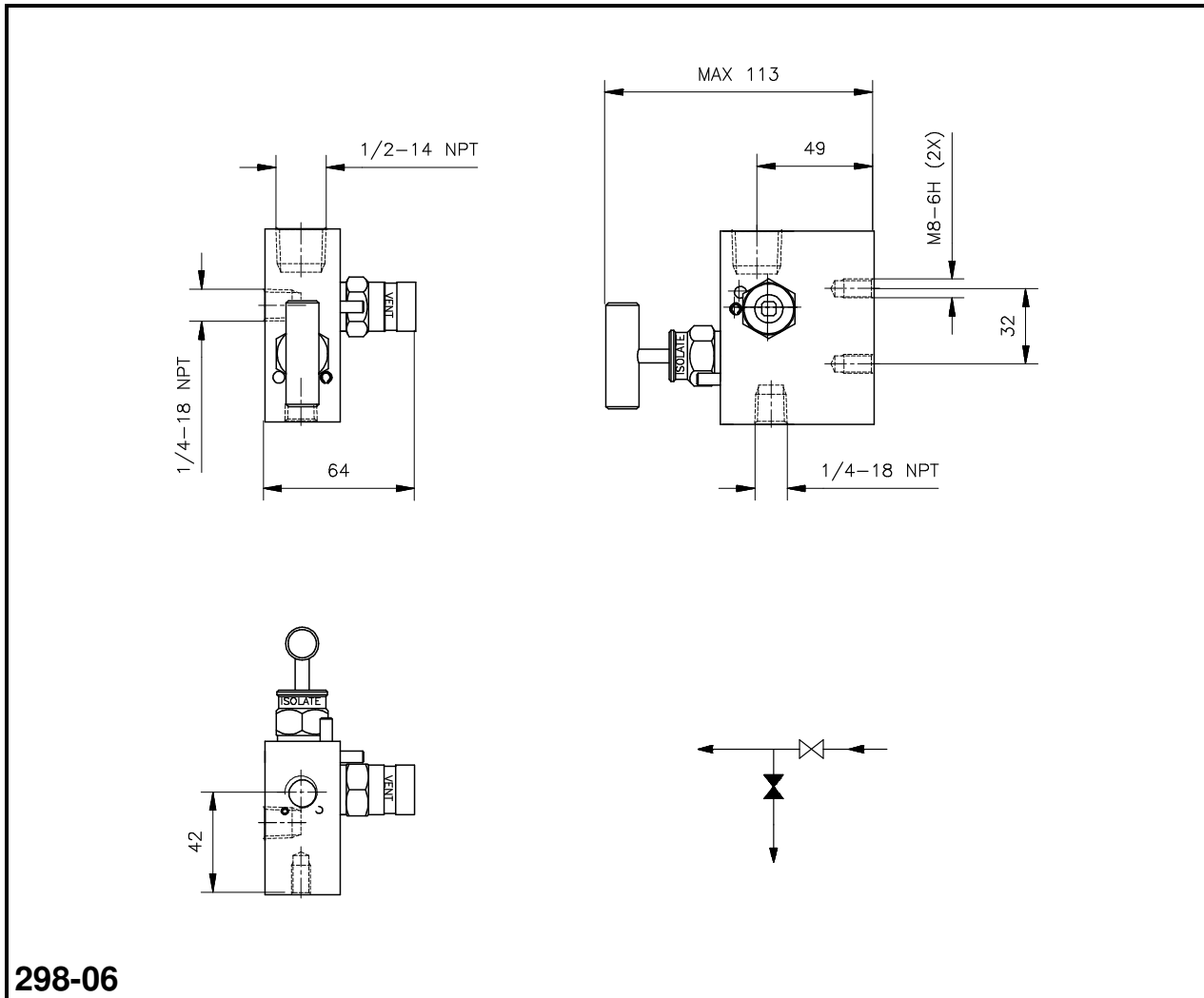
Stem packing	PTFE	GRAFOIL nuclear quality	VITON O-ring	
<i>Model</i>	298-01	298-05	298-06	
<i>Operating pressure / temperature rating</i>	413 barg 38 °C 6000 psig 100 °F 200 barg 230 °C 3000 psig 450 °F	413 barg 38 °C 6000 psig 100 °F 200 barg 400 °C 3000 psig 750 °F	600 barg 38 °C 9000 psig 100 °F 200 barg 200 °C 3000 psig 400 °F	

Optional	
Oxygen cleaned	xxx-xx/C
Alloy C-276 stem with Viton stempacking	xxx-36
Connectors 3/8"OD (PA = Parker, GY = Gyrolok, SL = Swagelok)	xxx-xx/..38
Connectors 10 mm OD (PA = Parker, GY = Gyrolok, SL = Swagelok)	xxx-xx/..10

Extra's	<i>Model</i>
Anti tamper key	59.003
Mounting bracket	906 or 906/P
Positioning adapter 360 degrees AISI 316 (L) M x F	60.700
Positioning adapter 360 degrees AISI 316 (L) M x M	60.750

® Trademark Swagelok Corporation

Model 298



298-06

