



AISI316 HOUSING – HA37



PICTURE MODEL

Astava model code: HA37SI-10 (2" 300/600 flanged connection bottom)

STANDARD DIMENSIONS

Client code					
HA	Housing Astava				
Astava cabinets	Stainless steel	H	W	D	
37		430	430	390	
Window					
N	Blind enclosure				
S	Safety glass window	210	210		
Insulation					
N	No insulation				
I	Insulation 25 mm polyurethane for AISI 316 (37, 40)				
Mounting accessories					
00	no options				

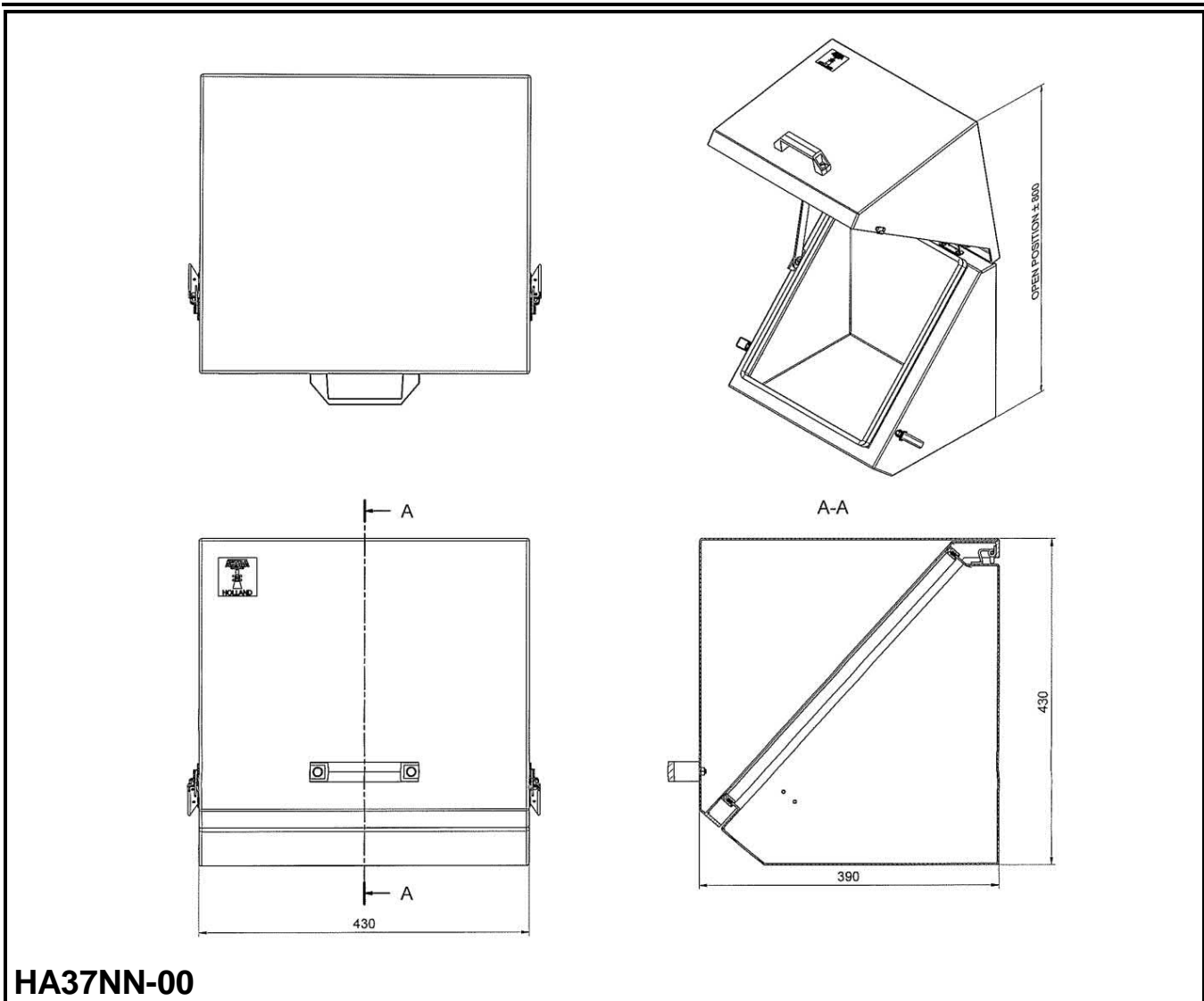
OPTIONS

Manifolds, brackets, connectors, electrical components, earthing and other special requirements on request.

GENERAL TECHNICAL DETAILS

Stainless Steel Cabinet technical description
Material SS 316 material
Stainless steel clamps and hinges
Ingress Protection 65 (IP 65)
Neoprene water tight sealing

AISI316 HOUSING – HA37



HA37NN-00

In addition to standard housing fully equipped housings, assembled and pressure test at Astava premises in Meppel The Netherlands are part of Astava philosophy called:

One-Stop Supply Hook-Up

Hereby an overview of most common options:

Manometers:	Astava scope	Free Issue supply customer			
Transmitters:	Astava scope	Free Issue supply customer			
Manifolds:	1-way	2-way	3-way	4-way	5-way
Windows:	Safety glass				
Insulation:	Polyurethane				
Mounting accessories:	Pipe stand	Mounting brackets			
Mounting manifolds:	Rear wall	Bottom	Pipe-rail		
Heating:	Steam	Electrical			
Thermostat:	Aluminium	AISI 316			
Junction boxes:	GRP	AISI 316	Aluminium		
Accessories:	Connectors	Cable glands	Breather		
Tagplates	Resopal	Traffolyte	AISI 316		