



# AISI316 HOUSING – HA40



## PICTURE MODEL

Astava model code: HA40 (with 1oo2 interlocking manifold)

## STANDARD DIMENSIONS

Client code					
HA	Housing Astava				
Astava cabinets	Stainless steel	H	W	D	
40		530	430	390	
Window					
N	Blind enclosure				
S	Safety glass window	280	280		
Insulation					
N	No insulation				
I	Insulation 25 mm polyurethane for AISI 316 (37, 40)				
Mounting accessories					
00	no options				

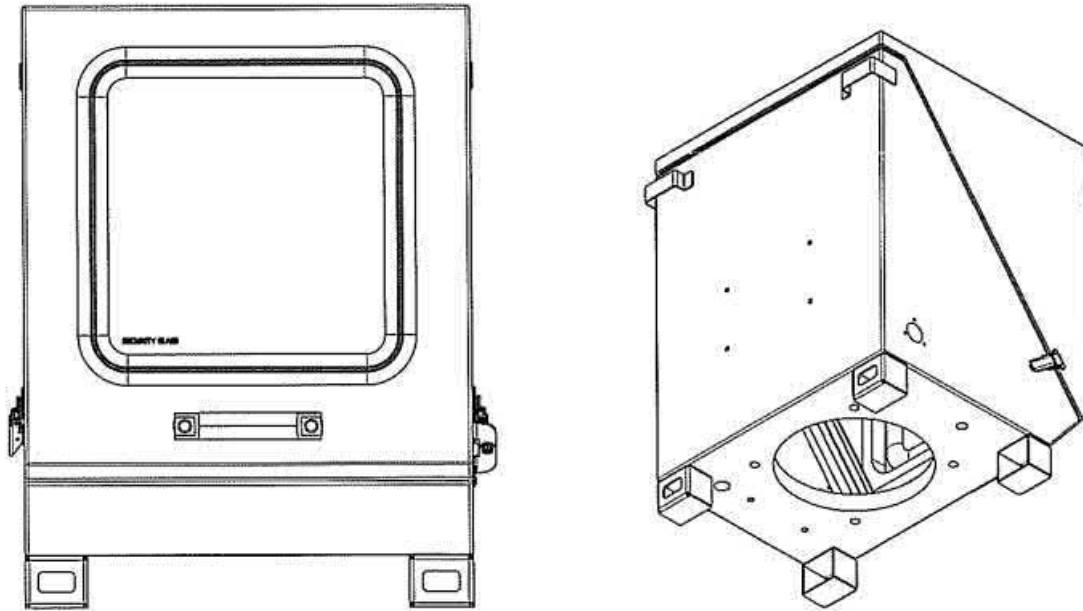
## OPTIONS

Manifolds, brackets, connectors, electrical components, earthing and other special requirements on request.

## GENERAL TECHNICAL DETAILS

Stainless Steel Cabinet technical description
Material SS 316 material
Stainless steel clamps and hinges
Ingress Protection 65 (IP 65)
Neoprene water tight sealing

# AISI316 HOUSING – HA40



**HA40NI-00 (with lifting lugs)**

In addition to standard housing fully equipped housings, assembled and pressure test at Astava premises in Meppel The Netherlands are part of Astava philosophy called:

## One-Stop Supply Hook-Up

Hereby an overview of most common options:

Manometers:	Astava scope	Free Issue supply customer			
Transmitters:	Astava scope	Free Issue supply customer			
Manifolds:	1-way	2-way	3-way	4-way	5-way
Windows:	Safety glass				
Insulation:	Polyurethane				
Mounting accessories:	Pipe stand	Mounting brackets			
Mounting manifolds:	Rear wall	Bottom	Pipe-rail		
Heating:	Steam	Electrical			
Thermostat:	Aluminium	AISI 316			
Junction boxes:	GRP	AISI 316	Aluminium		
Accessories:	Connectors	Cable glands	Breather		
Tagplates	Resopal	Traffolyte	AISI 316		