



GRP HOUSING – HA6

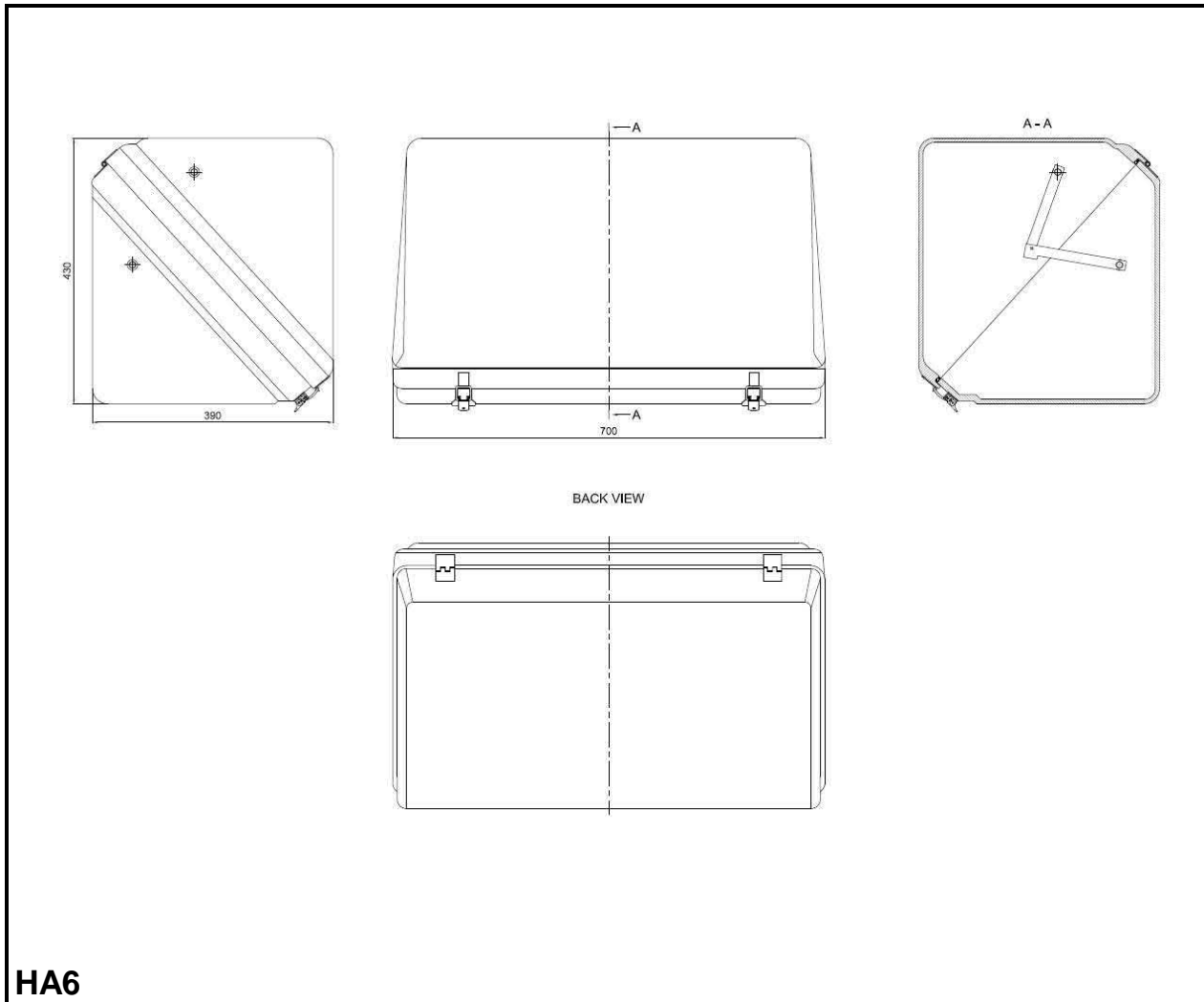


Astava model code: HA6

Client code					
HA	Housing Astava				
Astava cabinets	Colour	H	W	D	
6	Black	430	700	390	
Window					
N	Blind enclosure				
L	Safety glass window	225	450		
Insulation					
N	No insulation				
I	Insulation 20 mm polyurethane				
Mounting accessories					
00	no options				

Technical specification	
Material	Glass Reinforced Polyester (GRP)
Colour	Black
Toggle clamps, hinges	Stainless steel material AISI – 316
Sealing	Neoprene closed cell sealing
Weight	14 kgs
Surface resistance	Anti static, EN 50014 compliance (<1.10 9 Ohm)
Flame retardant	DIN 4102 Class B2
Ingress protection	Ingress Protection value 65

GRP HOUSING – HA6



HA6

In addition to standard housing fully equipped housings, assembled and pressure test at Astava premises in Meppel The Netherlands are part of Astava philosophy called:

One-Stop Supply Hook-Up

Hereby an overview of most common options:

Manometers:	Astava scope	Free Issue supply customer			
Transmitters:	Astava scope	Free Issue supply customer			
Manifolds:	1-way	2-way	3-way	4-way	5-way
Windows:	Safety glass	Plexi glass			
Insulation:	Polyurethane				
Mounting accessories:	Pipe stand	Mounting brackets			
Mounting manifolds:	Rear wall	Bottom	Pipe-rail		
Heating:	Steam	Electrical			
Thermostat:	Aluminium	AISI 316			
Junction boxes:	GRP	AISI 316		Aluminium	
Accessories:	Connectors	Cable glands		Breather	
Tagplates	Resopal	Traffolyte		AISI 316	