



HALF BODY GRP HA65



HA65
 HALF-BODY INSTRUMENT PROTECTION BOX
 FOR INSULATION OF PROCESS CONNECTION OF TRANSMITTER AND MANIFOLD

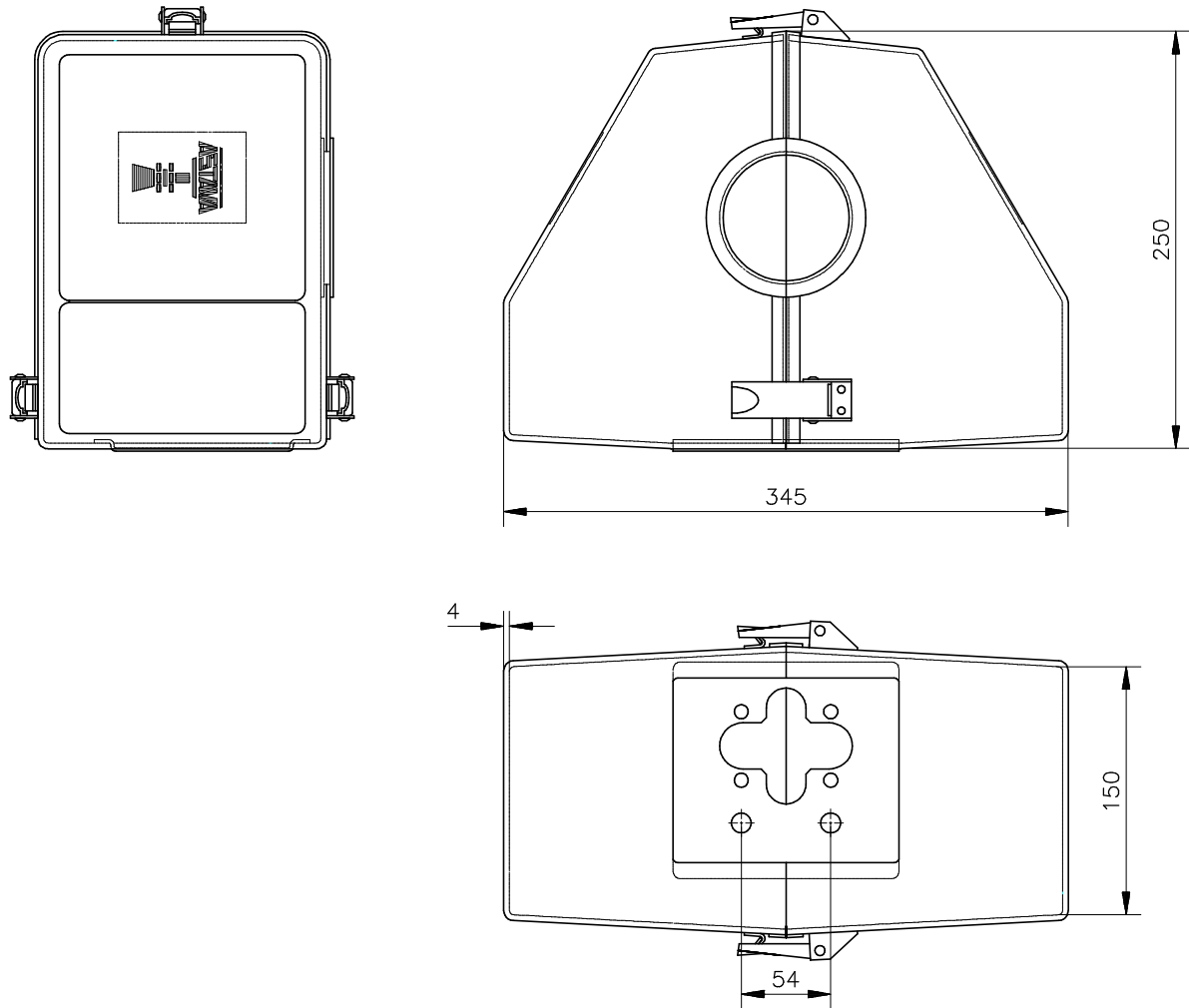
Standard materials-	
Box	Glass fibre reinforced polyester
Toggle clamps, hinges	Stainless steel type AISI - 316
Sealing	Neoprene closed cell sealing
Colour	Black
Specification	Anti static in accordance with EN 50014

Options

Standard materials-	
Mounting plate assembly	77.100 or 77.200 77.300 or 77.400 77.500
Type of cabinet	Insulated Non-insulated



HALF BODY GRP HA65



HA65