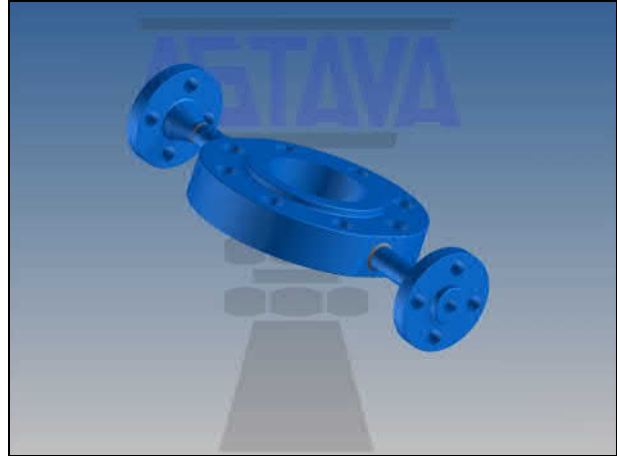
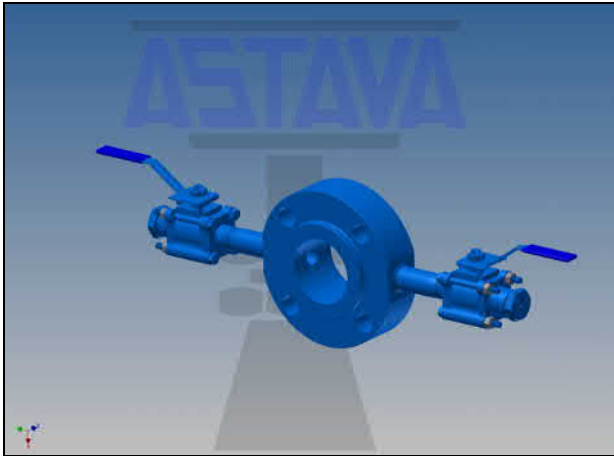




FLUSHING RINGS



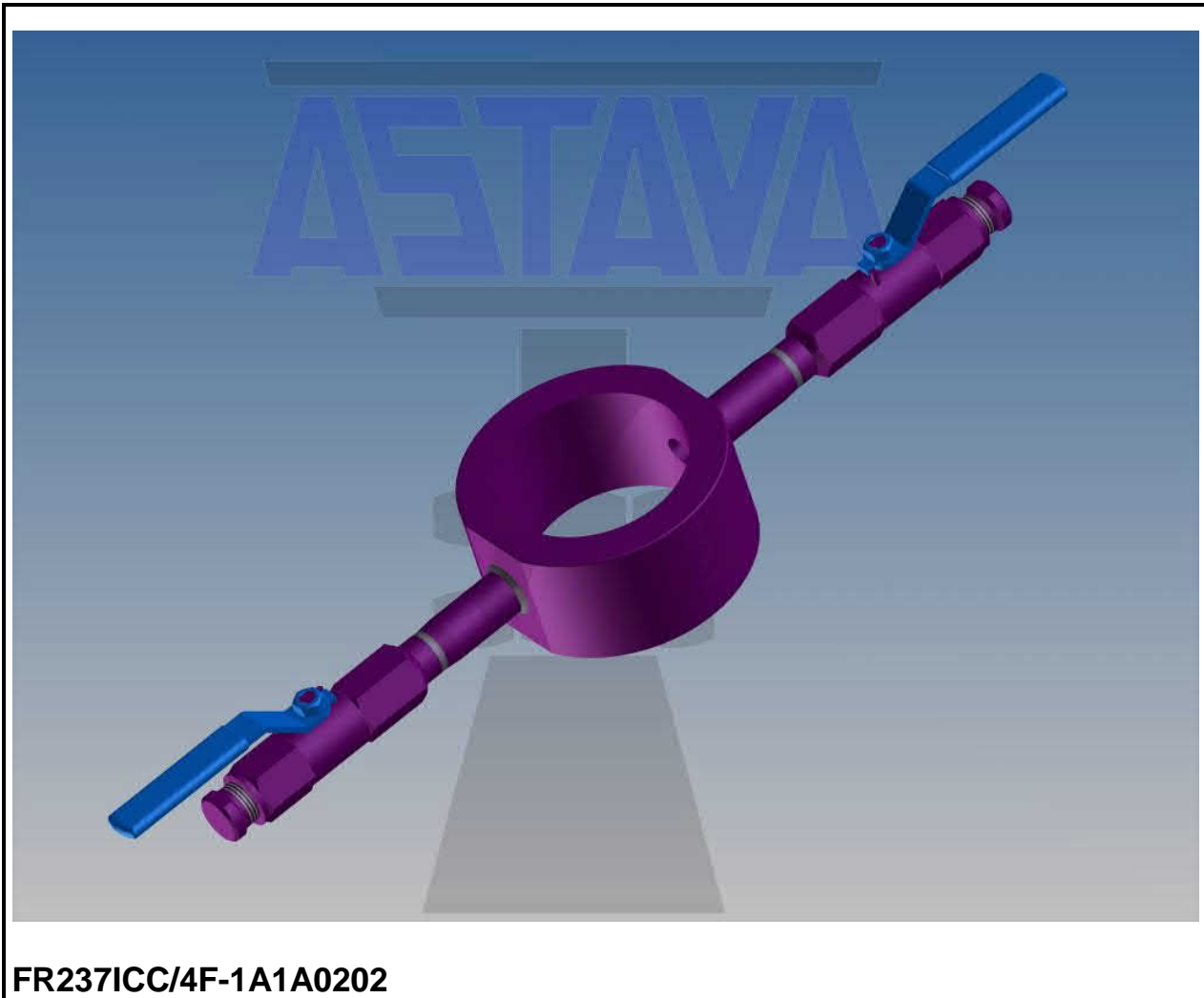
FLUSHING RINGS

FLUSHING RINGS WITH WELDED BALL VALES OR WELD NECK FLANGES

GENERAL SPECIFICATIONS

Rating	:150lbs up to 2500lbs, others on request
Process Connections	: RTJ or RF with or without bolt holes
Flange sizes	: 1/2" (DN15) up to 4" (DN100)
Material	: AISI316(L), Alloy C-276, Alloy400, Alloy 625, Alloy 718, Alloy 825, Alloy C22, Alloy K500, Duplex 1.4462, Super Duplex, 254 Smo (EN 1.4547), Titanium, ASTM A350 LF2 Carbon Steel, others on request
Flushing port size	: 1/2-14 NPT (F) 1/4-18 NPT (F) Weld connection Butt weld Weld connection Socket weld
Nominal pipe size	: 1/8" (10,3mm) up to 1" (33,4mm)
Schedule	: SCHEDULE 10 up to Schedule 160
Flushing method	: Weld tube bw/bw or sw/bw, Length to be defined Angular weld tube bw/bw or bw/sw, Length to be defined
Flushing Connection type	: 1/2" Ball valve (BW 1/2-14 NPT F) Flange welded, rating according to process connection
Accessories	: Swagelok connectors with plug & chain, Blind Plugs

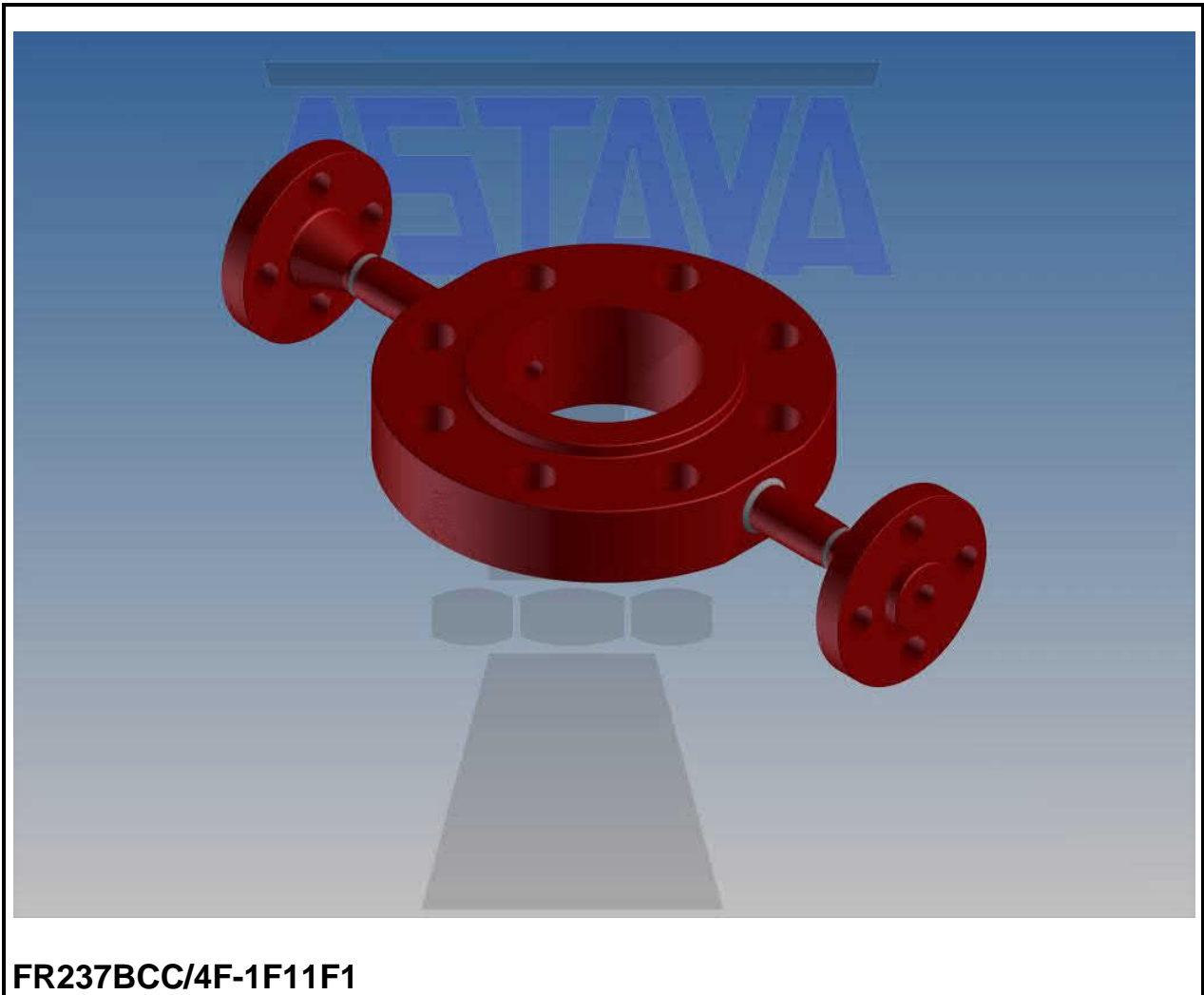
FLUSHING RINGS



FR237ICC/4F-1A1A0202



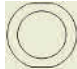

FLUSHING RINGS



FLUSHING RINGS



HOW TO ORDER

ASTAVA FLUSHING RINGS	
Model Code	
FR	Drip Rings/Flushing Rings
Rating	
1	Flange rating: 150 LBS
2	Flange rating: 300 / 600 LBS (equal acc to ASME B16.5 up to 3,5")
3	Flange rating: 900, 1500 LBS (equal acc to ASME B16.5 up to 2,5")
4	Flange rating: 2500 LBS
Process Connection	
1	Process connection: Ring Type with Raised Face (without boltholes) 
2	Process connection: Ring Type with RTJ (without boltholes)
3	Process connection: Flange Type with Raised Face (with boltholes) 
4	Process connection: Flange Type with RTJ (with boltholes)
Flange Size	
1	Nominal flange size: 1/2" (DN15) acc. to ASME B16.5
2	Nominal flange size: 3/4" (DN20) acc. to ASME B16.5
3	Nominal flange size: 1" (DN25) acc. to ASME B16.5
4	Nominal flange size: 1-1/2" (DN40) acc. to ASME B16.5
5	Nominal flange size: 2" (DN50) acc. to ASME B16.5
6	Nominal flange size 2 1/2"(DN65) acc. to ASME B16.5
7	Nominal flange size 3" (DN80) acc. to ASME B16.5
8	Nominal flange size 3 1/2" acc. to ASME B16.5
9	Nominal flange size 4" (DN100) acc. to ASME B16.5
Material	
A	AISI 316(L)
B	Alloy C276
C	Alloy 400
D	Alloy 625
E	Alloy 718
F	Alloy 825
G	Alloy C22
H	Alloy K500
I	Duplex 1.4462
J	Super Duplex
K	254 Smo (EN 1.4547)
L	Titanium
M	ASTM A350 LF2 Carbon Steel

Order code continues on the following page



FLUSHING RINGS

	Flushing Port Size
A	1/2"-14 NPT(F)
B	1/4"-14 NPT(F)
C	Weld Connection Butt weld
D	Weld Connection Socket Weld
	Nominal Pipe Size
/0	No Options
/1	1/8" (10,3mm)
/2	1/4" (13,7mm)
/3	3/8" (17,1mm)
/4	1/2" (21,3mm)
/5	3/4" (26,7mm)
/6	1" (33,4mm)
	Schedule
0	No Schedule
A-	Schedule 10
B-	Schedule 20
C-	Schedule 30
D-	Schedule 40
E-	Schedule 60
F-	Schedule 80
G-	Schedule 100
H-	Schedule 120
I-	Schedule 140
J-	Schedule 160
	Flushing Method
0	No Options
1	Weld Tube (bw/bw) Length = to be defined
2	Weld Tube (bw/sw) Length = to be defined
3	Angular Weld Tube (bw/bw) Length and Angle = to be defined
4	Angular Weld Tube (bw/sw) Length and Angle = to be defined

Order code continues on the following page

FLUSHING RINGS



Flushing Connection Type	
0	No Options
A	1/2 Ball Valve (BW-1/2-14 NPT)
B	To Be Defined
C	To Be Defined
D	To Be Defined
E	To Be Defined
F	Flanged welded: rating according to process connection
1	Nominal flange size: 1/2" (DN15) acc. to ASME B16.5
2	Nominal flange size: 3/4" (DN20) acc. to ASME B16.5
3	Nominal flange size: 1" (DN25) acc. to ASME B16.5
4	Nominal flange size: 1-1/2" (DN40) acc. to ASME B16.5
5	Nominal flange size: 2" (DN50) acc. to ASME B16.5
6	Nominal flange size 2 1/2"(DN65) acc. to ASME B16.5
7	Nominal flange size 3" (DN80) acc. to ASME B16.5
8	Nominal flange size 3 1/2" acc. to ASME B16.5
9	Nominal flange size 4" (DN100) acc. to ASME B16.5
Accessories	
00	No Options
01	Connector Swagelok with Plug and Chain
02	Blind Plug
XX	To Be Defined

A few example order codes : **FR237JAC/4F-3A02** or **FR237JAC/4F-3A02**

ASTAVA B.V.
Industrieweg 30
7944 HS MEPPEL
The Netherlands
Tel: +31-522-237030 E-mail : rfq@astava.com or order@astava.com
Fax: +31-522-237040 Internet : www.astava.com