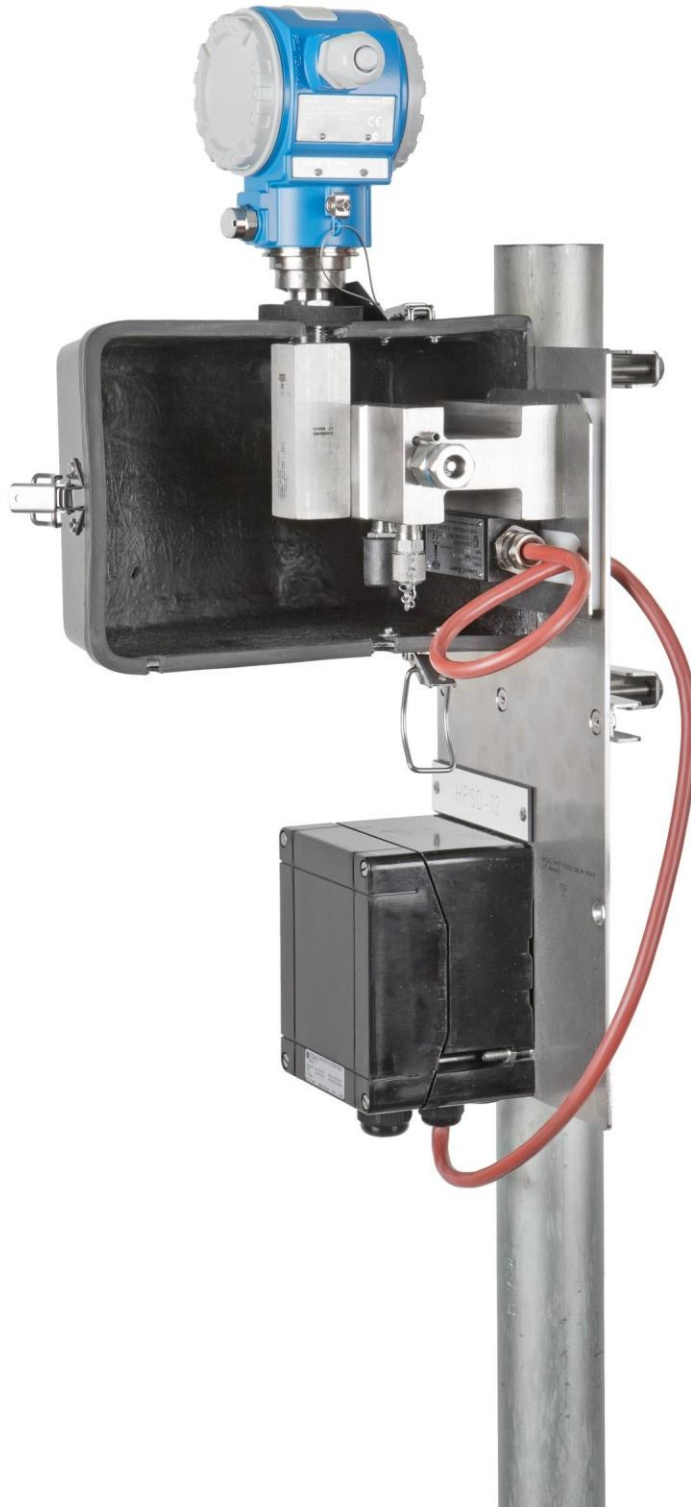


**Glass Fiber Reinforced Polyester (GRP) Instrument Enclosures**  
Technical Data Sheets







Standard Features	Reference Standard
Flame Retardant, Self Extinguishing	DIN 4102-1 Class B2 (EN ISO 11925-2)
UV Resistant	
Sea Water Resistance	

Ingress Protection Options <sup>1</sup>	Reference Standard
IP66 Standard Astava GRP Enclosure	Protected from dust that may harm equipment. Protection against low pressure water jets (all directions). IEC EN 60529

Sealing Gasket
Neoprene - Closed Cell Sealing
Custom per Request

Explosion Protection Options	
GO	Antistatic to avoid electrostatic charges according to EN IEC 60079-0 Compliant (Specific Surface Resistance <1.109 Ohm)

Insulation
Polyurethane and GRP Sandwich, Entrapped Polyurethane within Mold of GRP Enclosure - 20mm
ISOPASS - Insulation Adapter
Custom per Request

Heating Options	
Steam	U-Tube AISI 316. 3/8" OD, .6MM OD
	Custom per Request

Electrical Space Heating	EEx D 250-25W - Self Regulating, Black Anodized Aluminium Space Heater
	EEx D 250-25W - Self Regulating, AISI 316 Space Heater
	EEx D 100-10W - Self Regulating, Black Anodized Aluminium Space Heater
	EEx D 100-10W - Self Regulating, AISI 316 Space Heater
	Custom per Request
Electrical Block Heating, Eex D	EEx D 250-25W - Self Regulating, Black Anodized, Self Regulating Aluminium Block Heater
	EEx D 250-25W - Self Regulating, AISI 316 Block Heater
	EEx D 100-10W - Self Regulating, Black Anodized, Self Regulating Aluminium Block Heater
	EEx D 100-10W - Self Regulating, AISI 316 Block Heater
	Custom per Request
Thermostat	<p>In-line thermostats control the activation of heaters (space and block) to maintain the desired ambient temperature within an enclosure.</p> <p>Available in Aluminium or AISI 316 Stainless Steel</p>

Junction Box (Electronics Housing) <sup>2</sup>		
IP66	Protected from dust that may harm equipment. Protection against low pressure water jets (all directions).	GRP Aluminium AISI 316 Stainless Steel

Electric Cables and Glands	
Cables	Customer to specify type and material
Cable Glands	Customer to specify type, material, and brand (if applicable)

Ventilation and Drainage Options		
Vents	Labyrinth Filter	IP44
	Sintered Metal Type Vent - Polyamide	IP65

	Sintered Metal Type Vent - GRP	IP65
	Custom per Request	Customer to specify type and required IP rating
Drains	Drain Plug	IP65
	Breather Drain (GF Nylon or Stainless Steel)	IP66
	Ventilation Membrane	IP66, IP67
	Custom per Request	Customer to specify type and required IP rating

Enclosure Mounting Methods	
2" Pipe Mounting Bracket (Outside Enclosure)	Stainless Steel AISI 316 Galvanized Carbon Steel
2" Pipe (Inside Enclosure)	Stainless Steel AISI 316 Galvanized Carbon Steel
Outside Rails for Wall Mounting	Stainless Steel AISI 316 Galvanized Carbon Steel

Instruments	
Transmitter or Gauges Type	Customer to specify type, model #, quantity
Other	Customer to specify type, model #, quantity

Instrumentation Manifolds (Globe Style Needle Valves)	
1, 2, 3, 4, 5 Way Instrument Manifold Monoflanges Slimline Monoflanges Free issue	Potential Process x Instrument End Connections  Threaded: NPT, BSPP "G", BSPT Flanged: IEC 61518-A, IEC 61518-B, Integral Coplanar® 1/2" to 4" ASME B16.5, API 6A, EN1092 Flange Connections Fire Safe Options: BS-6755 PART II, EN 10497 and API 607.

Instrument or Instrument Manifold Mounting Position (If Applicable)	
Rear Wall Mounted	
Bottom Mounted	

Pipe Mounted
Custom per Request

Marking / Tag Plates
AISI 316 Stainless Steel
Traffolyte
Resopal

Toggle Clasps and Hinges
AISI 316 Stainless Steel (Standard)

Colors
Black
Green - RAL #6003
Blue - RAL #5017
Grey - RAL #7032
White - RAL #9010
Custom per Request

Additional Options to Consider
Process Tube Connectors: Astalok® (double ferrule compression) Swagelok® Equivalent, or other per Request
Eex Safety Switches
PT and DPT Capillaries

Earthtrail (for grounding electricity)

Testing services

Grommets for process impulse lines

Other per Request

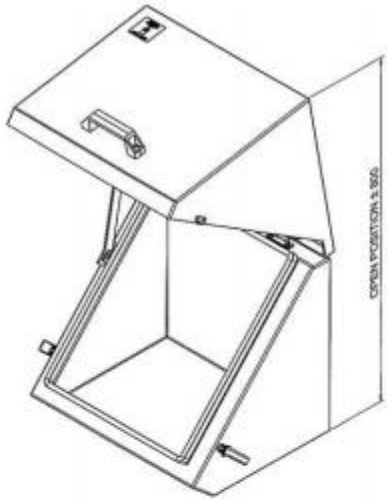
#### Footnotes

1. The required Ingress Protection rating directly affects equipment selection. Not all variations of enclosures and accessories are available for all IP ratings. There is a direct inverse relationship between the number of options available as IP ratings increase.

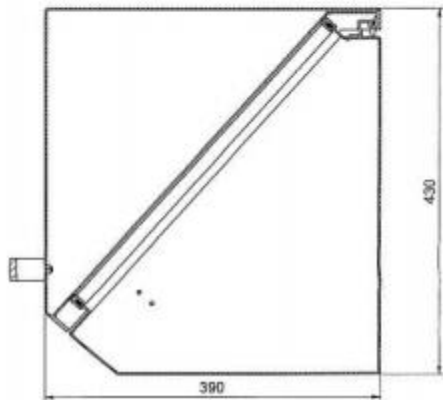
2. The quantity, configuration, and mounting requirements for junction boxes will vary based on the number of instruments that require electrical power such as transmitters, heaters, thermostats, etc.



Full Body Enclosure Styles



A-A



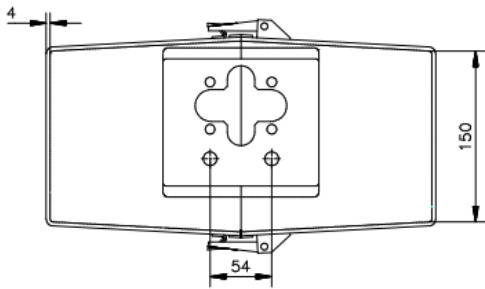
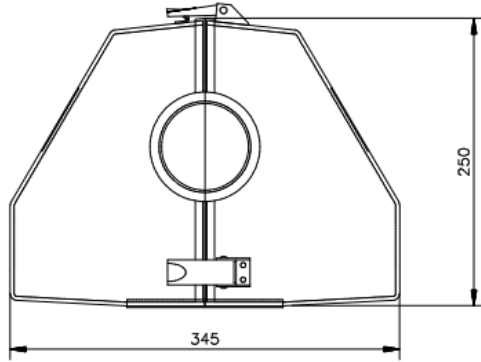
\*Example Only

Standard Dimensions		
Height	Width	Depth
500 mm	500 mm	650 mm
550 mm	500 mm	650 mm
430 mm	700 mm	390 mm
430 mm	430 mm	390 mm
400 mm	374 mm	400 mm
530 mm	700 mm	390 mm
530 mm	430 mm	390 mm
Custom	Custom	Custom

Safety Glass Window	
Height	Width
210 mm	210 mm
210 mm	500 mm
290 mm	290 mm
Custom	Custom
Blind	Blind



### Half Body Enclosure Styles



\*Example Only

Standard Dimensions

Height	Width	Depth
150 mm	345 mm	250 mm
Custom	Custom	Custom

