

Stainless Steel Instrument Enclosures
Technical Data Sheets



Standard Features	Reference Standard
Flame Retardant, Self Extinguishing	
UV Resistant	
Sea Water Resistance	

Ingress Protection Options ¹	Reference Standard
IP65 Standard Astava AISI 316 Enclosure	Protected from dust that may harm equipment. Protection against low pressure water jets (all directions). IEC EN 60529

Sealing Gasket
Neoprene - Closed Cell Sealing
Custom per Request

Insulation
Polyurethane Foam
ISOPASS - Insulation Adapter
Custom per Request

Heating Options	
Steam	U-Tube AISI 316 3/8" OD, 6MM OD
	Custom per Request
Electrical Space Heating	EEx D 250-25W - Self Regulating, Black Anodized Aluminium Space Heater
	EEx D 250-25W - Self Regulating, AISI 316 Space Heater
	EEx D 100-10W - Self Regulating, Black Anodized Aluminium Space Heater
	EEx D 100-10W - Self Regulating, AISI 316 Space Heater
	Custom per Request
Electrical Block Heating, Eex D	EEx D 250-25W - Self Regulating, Black Anodized, Self Regulating Aluminium Block Heater
	EEx D 250-25W - Self Regulating, AISI 316 Block Heater
	EEx D 100-10W - Self Regulating, Black Anodized, Self Regulating Aluminium Block Heater
	EEx D 100-10W - Self Regulating, AISI 316 Block Heater
	Custom per Request
Thermostat	In-line thermostats control the activation of heaters (space and block) to maintain the desired ambient temperature within an enclosure. Available in Aluminium or AISI 316 Stainless Steel

Junction Box (Electronics Housing) ²		
IP66	Protected from dust that may harm equipment. Protection against low pressure water jets (all directions).	GRP Aluminium AISI 316 Stainless Steel

Electric Cables and Glands	
Cables	Customer to specify type and material
Cable Glands	Customer to specify type, material, and brand (if applicable)

Ventilation and Drainage Options		
Vents	Labyrinth Filter	IP44
	Sintered Metal Type Vent - Polyamide	IP65
	Sintered Metal Type Vent - GRP	IP65
	Custom per Request	Customer to specify type and required IP rating
Drains	Drain Plug	IP65
	Breather Drain (GF Nylon or Stainless Steel)	IP66
	Ventilation Membrane	IP66, IP67
	Custom per Request	Customer to specify type and required IP rating

Enclosure Mounting Methods	
2" Pipe Mounting Bracket (Outside Enclosure)	AISI 316 Stainless Steel
2" Pipe (Inside Enclosure)	AISI 316 Stainless Steel
Outside Rails for Wall Mounting	AISI 316 Stainless Steel
Custom	Per Request

Instruments	
Transmitter or Gauges Type	Customer to specify type, model #, quantity
Other	Customer to specify type, model #, quantity

Instrumentation Manifolds (Globe Style Needle Valves)	
1, 2, 3, 4, 5 Way Instrument Manifold Monoflanges Slimline Monoflanges Free issue	Potential Process x Instrument End Connections Threaded: NPT, BSPP "G", BSPT Flanged: IEC 61518-A, IEC 61518-B, Integral Coplanar® 1/2" to 4" ASME B16.5, API 6A, EN1092 Flange Connections Fire Safe Options: BS-6755 PART II, EN 10497 and API 607.

Instrument or Instrument Manifold Mounting Position (If Applicable)
Rear Wall Mounted
Bottom Mounted
Pipe Mounted
Custom per Request

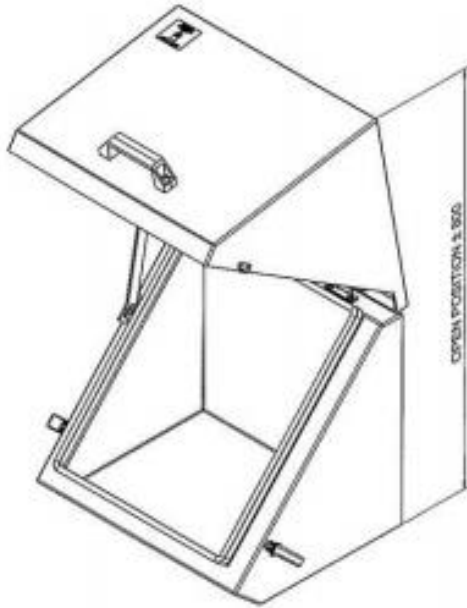
Marking / Tag Plates
AISI 316 Stainless Steel
Traffolyte
Resopal

Toggle Clasps and Hinges
AISI 316 Stainless Steel (Standard)

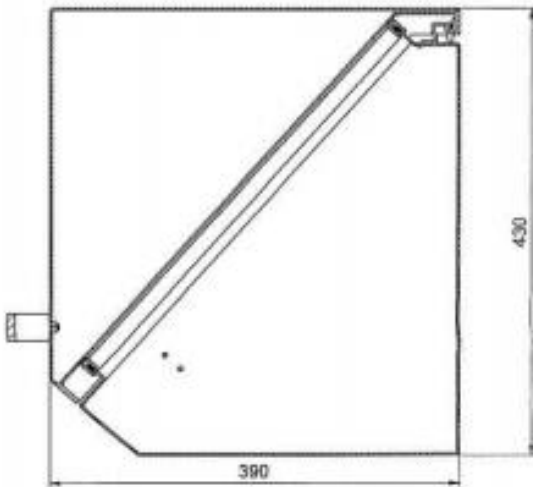
Additional Options to Consider
Sunshade, AISI 316 Stainless Steel or GRP
Process Tube Connectors: Astalok® (double ferrule compression) Swagelok® Equivalent, or other as specified
Eex Safety Switches
PT and DPT Capillaries
Grommets for process impulse lines
Other per Request

Footnotes
1. The required Ingress Protection rating directly affects equipment selection. Not all variations of enclosures and accessories are available for all IP ratings. There is a direct inverse relationship between the number of options available as IP ratings increase.
2. The quantity, configuration, and mounting requirements for junction boxes will vary based on the number of instruments that require electrical power such as transmitters, heaters, thermostats, etc.

Full Body AISI 316 Stainless Steel Enclosure Styles



A-A



*Example Only

Standard Dimensions

Height	Width	Depth
600 mm	700 mm	550 mm
430 mm	430 mm	390 mm
725 mm	850 mm	650 mm
530 mm	430 mm	390 mm
850 mm	600 mm	390 mm
800 mm	900 mm	650 mm
600 mm	800 mm	550 mm
600 mm	450 mm	400 mm
700 mm	700 mm	400 mm
Custom	Custom	Custom

Safety Glass Window

Height	Width
210 mm	210 mm
210 mm	500 mm
290 mm	290 mm
Custom	Custom
Blind	Blind